

KENDRIYA VIDYALAYA SANGATHAN, HYDERABAD REGION
PERIODIC TEST-02 EXAM SAMPLE PAPER 02 (2017-18)

SUBJECT: MATHEMATICS

BLUE PRINT FOR PERIODIC TEST-02 : CLASS VIII

Unit/Topic	VSA (1 mark)	Short answer (2 marks)	Short answer (3 marks)	Long answer (4 marks)	Total
Rational Numbers	--	2(1)	--	--	2(1)
Linear equations in one variable	1(1)	--	--	--	1(1)
Understanding Quadrilaterals	1(1)	--	--	--	1(1)
Practical Geometry	--	2(1)	--	--	2(1)
Data Handlings	1(1)	--	--	--	1(1)
Squares and Square Roots	1(1)	--	--	--	1(1)
Cubes and Cube Roots	--	2(1)	--	--	2(1)
Comparing Quantities	--	2(1)	--	--	2(1)
Algebraic Expressions	--	--	3(1)	4(1)	7(2)
Visualizing Solid Shapes	--	--	3(1)	4(1)	7(2)
Mensuration	--	--	3(1)	4(1)	7(2)
Exponents and Powers	--	--	3(1)	4(1)	7(2)
Total	4(4)	8(4)	12(4)	16(4)	40(16)

MARKING SCHEME FOR PERIODIC TEST – 02 EXAM

SECTION	MARKS	NO. OF QUESTIONS	TOTAL
VSA	1	4	04
SA – I	2	4	08
SA – II	3	4	12
LA	4	4	16
GRAND TOTAL			40

KENDRIYA VIDYALAYA SANGATHAN, HYDERABAD REGION
PERIODIC TEST-02 EXAM SAMPLE PAPER 02 (2017-18)

SUBJECT: MATHEMATICS
CLASS : VIII

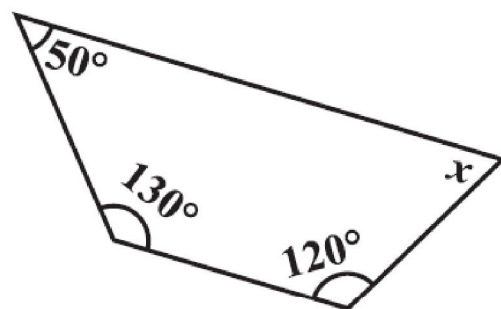
MAX. MARKS : 40
DURATION : 1½HRS

General Instructions:

- (i). All questions are compulsory.
- (ii). This question paper contains **16** questions divided into four Sections A, B, C and D.
- (iii). **Section A** comprises of 4 questions of **1 mark** each. **Section B** comprises of 4 questions of **2 marks** each. **Section C** comprises of 4 questions of **3 marks** each and **Section D** comprises of 4 questions of **4 marks** each.
- (iv). Use of Calculators is not permitted

SECTION – A

1. Solve : $2y + 9 = 4$
2. Find x in the adjoining figure:
3. Find the cube of 0.4.
4. Find the square root of 1296.



SECTION – B

5. Find two rational numbers between $\frac{2}{3}$ and $\frac{4}{5}$.
6. Waheeda bought an air cooler for Rs 3300 including a tax of 10%. Find the price of the air cooler before VAT was added.
7. Construct a quadrilateral ABCD where $AB = 4.5$ cm, $BC = 5.5$ cm, $CD = 4$ cm, $AD = 6$ cm and $AC = 7$ cm.
8. The shoppers who come to a departmental store are marked as: man (M), woman (W), boy (B) or girl (G). The following list gives the shoppers who came during the first hour in the morning:

W W W G B W W M G G M M W W W W G B M W B G G M W W M M W W
W M W B W G M W W W W G W M M W W M W G W M G W M M B G G W

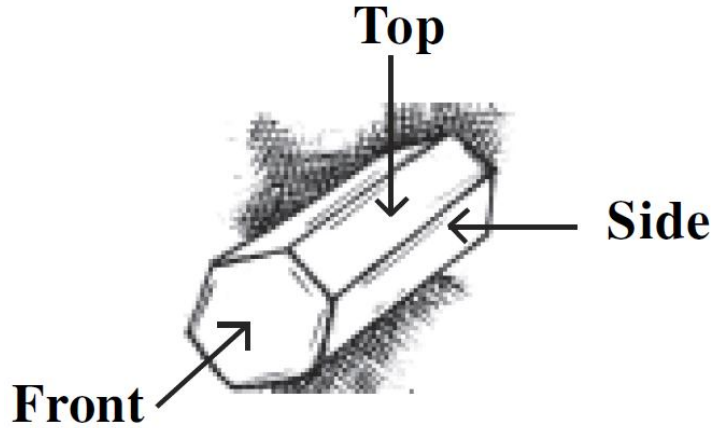
Make a frequency distribution table using tally marks.

SECTION – C

9. The floor of a building consists of 3000 tiles which are rhombus shaped and each of its diagonals are 45 cm and 30 cm in length. Find the total cost of polishing the floor, if the cost per m^2 is Rs 4.

10. Simplify:
$$\frac{3^{-5} \times 10^{-5} \times 125}{5^{-7} \times 6^{-5}}$$

11. Draw the front view, side view and top view of the below objects.



12. Simplify: (i) $(t + s^2)(t^2 - s)$
(ii) $(a + b)(c - d) + (a - b)(c + d) + 2(ac + bd)$

SECTION – D

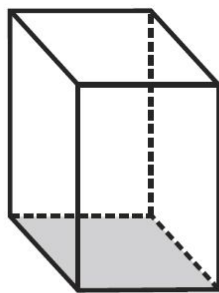
13. Express the number appearing in the following statements in standard form.

- (i) Charge of an electron is 0.000,000,000,000,000,16 coulomb.
(ii) Size of a bacteria is 0.0000005 m
(iii) Size of a plant cell is 0.00001275 m
(iv) Thickness of a thick paper is 0.07 mm

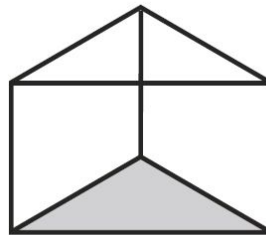
14. Using identities, evaluate (i) 5.2^2 (ii) 297×303

15. A milk tank is in the form of cylinder whose radius is 1.5 m and length is 7 m. Find the quantity of milk in litres that can be stored in the tank?

16. Verify Euler's formula for these solids:



(i)



(ii)